



Flow PLUS

Automatic and silent

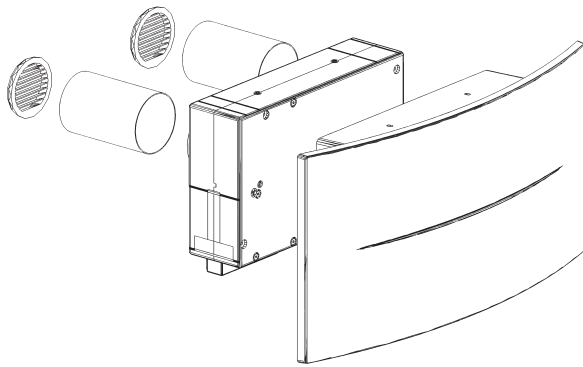
Helty FlowPLUS is a point-wise HRV with dual continuous flow, **enthalpy heat recovery system** and high-performance air filtration. The unit is equipped with a **hygrometric sensor that monitors the level of humidity in the air and automatically adjusts ventilation to counteract the formation of condensation and ensure humidity level within the comfort zone.** Featuring a **clean minimal design**, it can be easily installed on external masonry without invasive renovation work.

Thanks to the enthalpy heat exchanger, the system **recovers up to 91% of the heat** from the outgoing air, using it to heat the incoming air before introducing it into the rooms. With a **sound pressure level of 18 dB at minimum speed**, it is incredibly quiet. It is imperceptible even during sleeping hours thanks to the night function.



Humidity under control

In addition to the panel interface and remote control, the appliance can be managed via smartphone over a home Wi-Fi network using the **Air Guard app**, which enables you to adjust its operation and **monitor the temperature and humidity levels** in your home.



Humidity sensor for automatic ventilation regulation.



Thanks to the supplied infrared remote control, it is easy to operate from anywhere in the room.



91%

Heat recovery efficiency



18 dB(A)

Sound pressure



42 m³/h

Maximum air flow



F7+G4

Air intake filtration



-37.9 kWh/m²a

SEC energy consumption (temperate climate)

Technical data

Energy efficiency class **A**

Specifications	UoM	Value
Air flow rate	m ³ /h	10/17/26/37/42 ⁽¹⁾
Flow adjustment		4 stages + hyperventilation
Power consumption	W	3.6/5.5/9/17.5/20 ⁽¹⁾
Specific power input	W/m ³ /h	0.35/0.32/0.35/0.49/0.48 ⁽¹⁾
Power supply voltage	V AC	230
Operating voltage ⁽²⁾	V DC	24
Max. current consumption ⁽³⁾	A	0.17
Weight	kg	6
Product dimensions (horizontal W x H x D)	mm	695 x 353 x 152
Core-drilled holes	mm	2x Ø80
Heat exchanger		enthalpy with cross-flow countercurrent
Heat recovery efficiency	%	91
Sound power level ⁽⁴⁾	dB(A)	29.5/34.9/42/50.7
Sound pressure ⁽⁵⁾	dB(A)	18/23.4/30.5/39.2
Facade noise abatement Dn, e, w	dB	45
Filters (intake / extraction)		F7+G4 / G2
Modbus RTU rs485		Yes ⁽⁶⁾
Energy efficiency class (cold / temperate / hot)		A+ / A / E
SEC (cold / temperate / hot)	kWh/m ² a	-741 / -37.9 / -14.6
Unit type		UVR-B bidirectional
Specific Power Input SPI ⁽⁷⁾	W/(m ³ /h)	0.35
Internal leakage rate ⁽⁷⁾	%	0.8
External leakage rate ⁽⁷⁾	%	0.9
Air flow sensitivity (variations +20 Pa to -20 Pa)		Class S1
Internal/external air tightness		Class S1

1. In hyperventilation mode
 2. The use of the supplied power supply allows power to be supplied at 230 V AC. To be connected during installation.

3. With 230 V AC supply voltage
 4. According to UNI 3744:2010
 5. Measured in a 30 m² semi-anechoic environment at a distance f 3 m

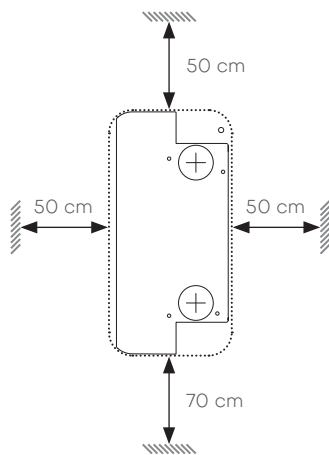
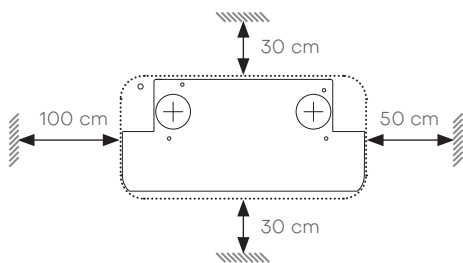
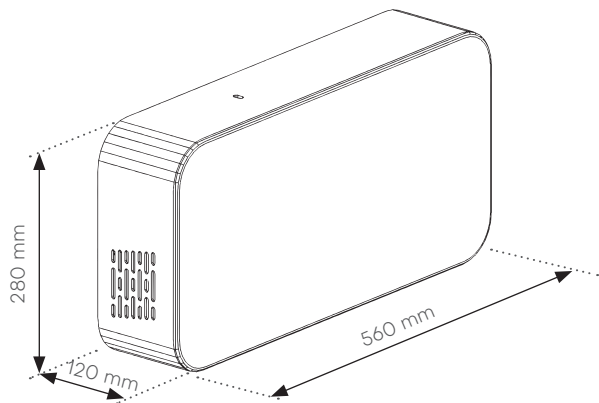
6. This excludes control via the panel interface
 7. In accordance with EN 13141-8:2014-09

.....

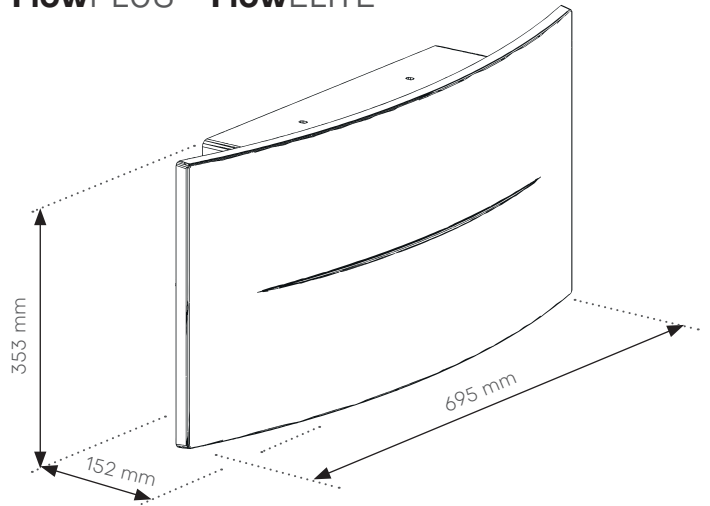


Flow wall-mounted HRV dimensions

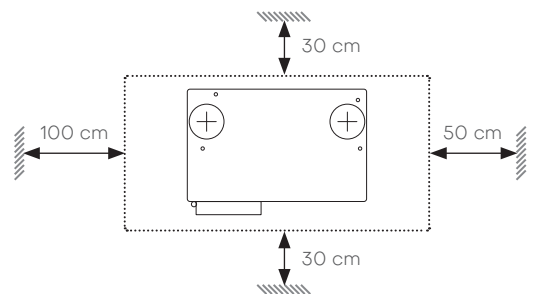
FlowEASY



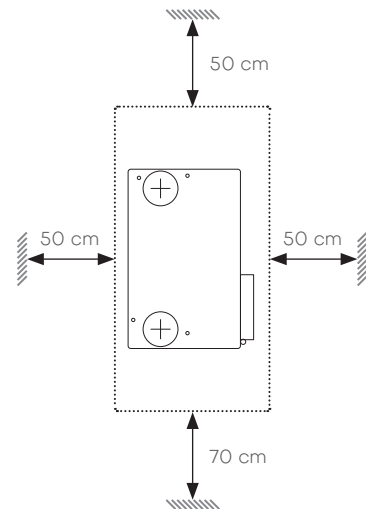
FlowPLUS - FlowELITE



Horizontal orientation



Vertical orientation



Flow wall-mounted HRV installation

Wall-mounted HRV systems allow plug-and-play installation. Fitting requires two small 80-mm core-drilled holes in the masonry, inserting and sealing the conduits in the masonry section, fixing the unit to the wall with pressure screws, electrical connection and positioning the external grilles. **With the 100 mm ducting kit (optional), the grilles can be installed directly from inside the house.**

For more details, please refer to the instruction manual. For improved air distribution and optimal acoustic comfort, the recommended installation position is a central point of a wall of the room to be ventilated, as high as possible (compatibly with the minimum recommended distances) and preferably in a horizontal configuration.

